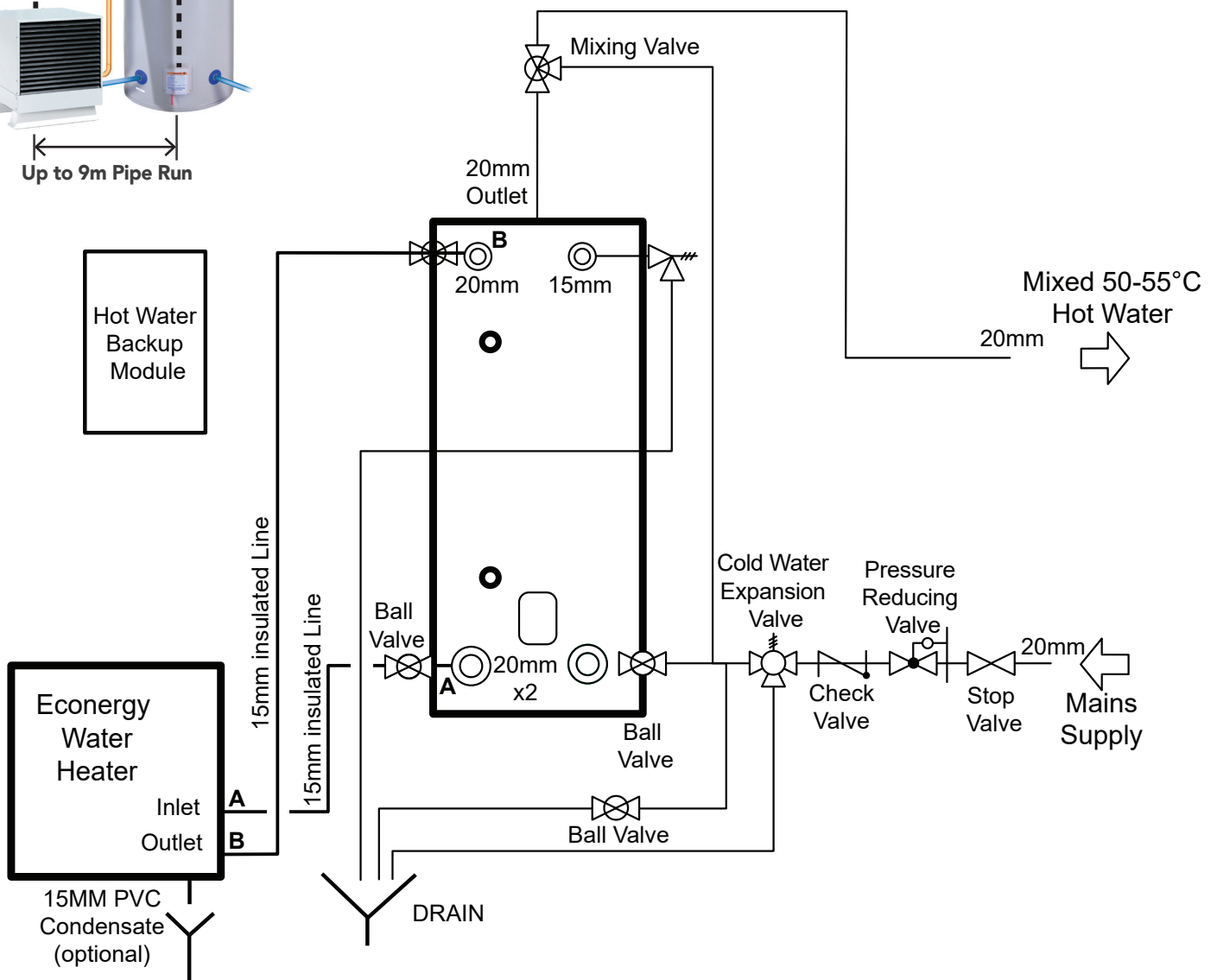




Piping Diagram for Connection to Econergy® Heat Pump Ready Hot Water Cylinder

- FOR PLUMBER

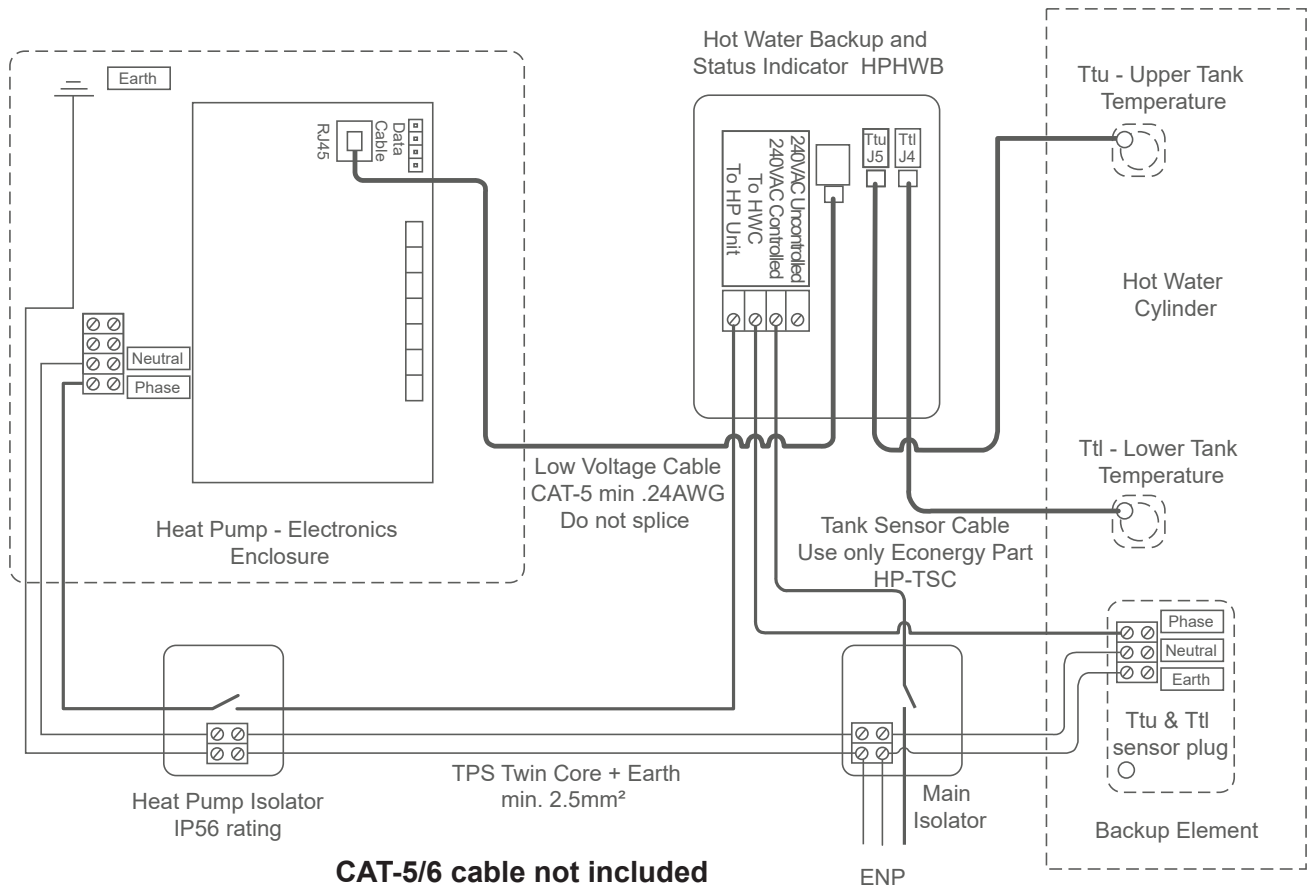


Please ensure inlet (A) is plumbed to the bottom of the cylinder (A) and outlet (B) is plumbed to the top of the cylinder (B).

*For standard HWC please contact Hot Water Heat Pumps Ltd for further information

Wiring Diagram - FOR ELECTRICIAN

COC No: _____



CAT-5/6 cable not included



WARNING: Incorrect connection of CAT cable may cause fault or board failure.

Installation Declaration Form

Please complete the following form, ensure that the commissioning installer signs and dates the form, then send to Hot Water Heat Pumps Ltd via post or email.

Owners Name _____

Product Serial Number _____

Installation Date _____

Installation address _____

Declaration: I have installed and commissioned this Econergy water heater at the above address in compliance with the manufacturer's instruction manual.

Installer Name _____

Installer Company Name/ Trading Name _____

Signed _____

Date _____

Installer email address _____

Secondary installer (electrician or plumber) _____

Secondary Installer Company Name/ Trading Name _____

Signed _____

Date _____

Installer email address _____